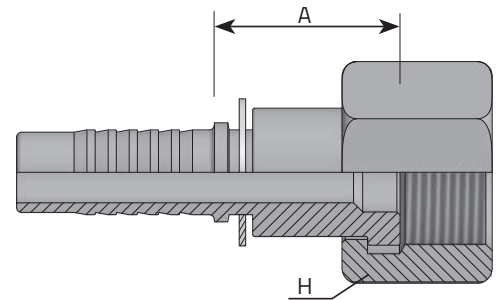




ORFS FEMALE

FEMMINA ORFS
FEMELLE DROIT ORFS
ORFS – UNF GEWINDE
HEMBRA RECTA ORFS

* CRIMPED NUT
DADO PINZATO



Code	Tube		Thread		Dimensions			Pressure	
	D.N.	Hose	Diam	T	t/1"	H	A	Bar	Psi
	Inch		mm	Inch		mm	mm		
FORFS0406	-4	1/4"	6.4	9/16"	18	17	20.5	450	6526
FORFS0409	-4	1/4"	6.4	11/16"	16	22	23	450	6526
FORFS0411	-4	1/4"	6.4	13/16"	16	24	26	450	6526
FORFS0509	-5	5/16"	7.9	11/16"	16	22	23	350	5076
* FORFS0606	-6	3/8"	9.5	9/16"	18	19	25	445	6454
FORFS0609	-6	3/8"	9.5	11/16"	16	22	23.5	445	6454
FORFS0611	-6	3/8"	9.5	13/16"	16	24	26	445	6454
* FORFS0809	-8	1/2"	12.8	11/16"	16	22	29	415	6019
FORFS0811	-8	1/2"	12.8	13/16"	16	24	26.5	415	6019
FORFS0813	-8	1/2"	12.8	1"	14	30	30	415	6019
FORFS0814	-8	1/2"	12.8	1.3/16"	12	36	32.5	415	6019
FORFS1013	-10	5/8"	16	1"	14	30	30	350	5076
FORFS1014	-10	5/8"	16	1.3/16"	12	36	32	350	5076
FORFS1214	-12	3/4"	19	1.3/16"	12	36	33	350	5076
FORFS1215	-12	3/4"	19	1.7/16"	12	41	34	350	5076
* FORFS1614	-16	1"	25.4	1.3/16"	12	36	38.5	280	4061
FORFS1615	-16	1"	25.4	1.7/16"	12	41	35	280	4061
FORFS1621	-16	1"	25.4	1.11/16"	12	50	35	210	3046
FORFS2021	-20	1.1/4"	31.8	1.11/16"	12	50	35.5	210	3046
FORFS2432	-24	1.1/2"	38.1	2"	12	60	37	185	2683